

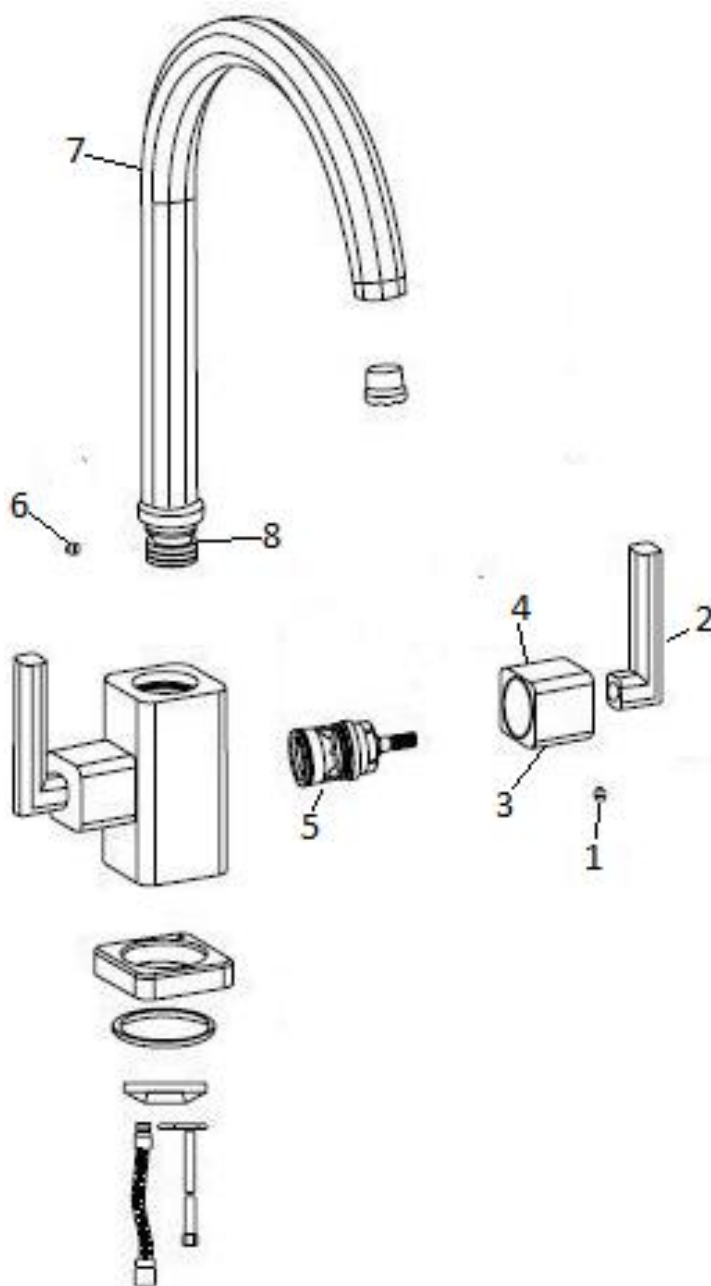
Franke Mythos MTX, MTG & MTV Tap Replacing Cartridge and O-Rings

Replacing the cartridge

Before replacing the cartridge, you will need to turn the water off. You will need to remove the handle retaining screw (1) by using a 2mm allen key. Once you've removed the handle (2), you will need to unscrew the valve cover retaining screw (3) by using a 2mm allen key. Once the valve cover (4) is removed, you can unscrew the existing valve (5) and replace with the new parts.

Replacing the o rings

To replace the o rings, you will need to unscrew the spout retaining screw (6) by using a 2.5mm allen key. You will then be able to lift the spout (7) up and remove the existing o rings (8) and then replace with the new parts.



Central Services Ltd
Unit 17 Park Hall Business Village
Park Hall Road
Stoke-on-Trent
ST3 5XA

01782 599258
ks-ukcentralservices.gb@franke.com

*Make
it
Wonderful*

FRANKE